

体积小, 使用寿命长, 抗振性好, 抗冲击能力强
Small volume, long operating life, good vibration resistance, strong resistance to impact
法兰安装
flange mounted
作角度传感器使用
Used as angular position sensor

CJW-HE-1501型霍尔式角位移传感器
CJW-HE-1501 hall-effect angular displacement sensor

■适用标准 Applicable Specifications
GJB 3162-1998 电感式轴角编码器通用规范

■外形尺寸图 Dimensions

■电气规格 Electrical Specification

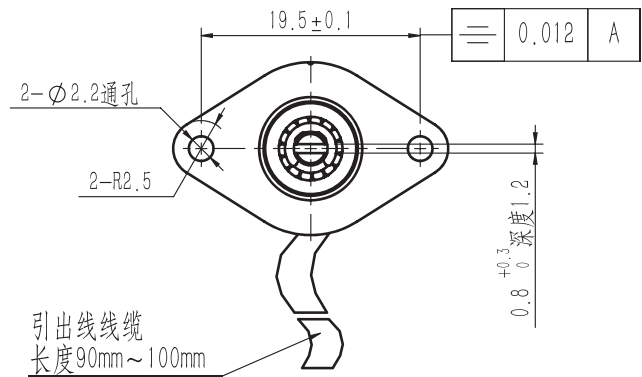
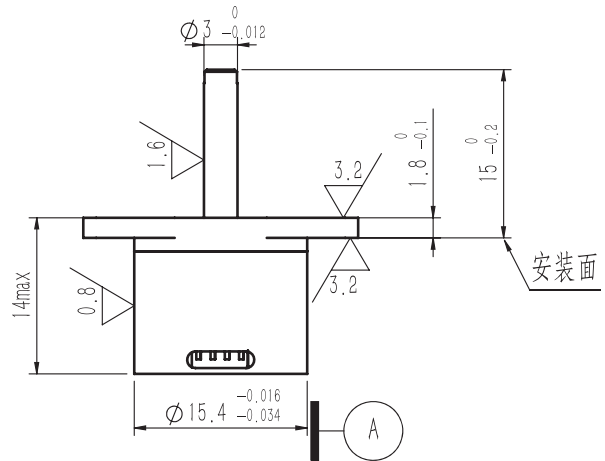
| | |
|--------------------------------------|--|
| 供电电压 VDD Supply Voltage | DC5V±0.5V |
| 供电电流 Supply Current | 35mA max |
| 输出信号 Output Signal | 同步串行接口 SSI |
| 输出分辨率 Output Resolution | 12bit@360° |
| 输出响应时间 Output Response Time | ≤30us |
| 独立线性度 Independent Linearity | ≤±0.3% |
| 介质耐压 Dielectric withstand voltage | 750V _{AC} , Imin; 漏电流 Leakage Current ≤1mA |
| 绝缘电阻 Insulation Resistance | 500V _{DC} , ≥1GΩ |
| 连续通电寿命 Continuous Current Life | ≥1000h |

■环境特性 Environmental Characteristics

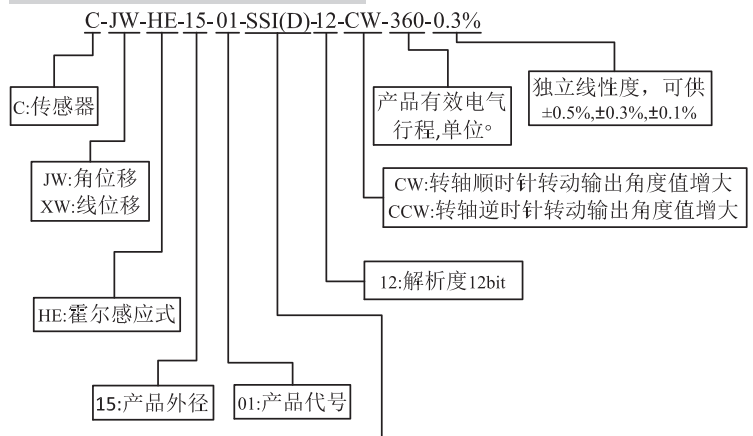
| | |
|------------------------------------|-------------------------|
| 工作温度 Operating Temperature | -55°C~+125°C |
| 温度冲击 Thermal Shock | -55°C~+125°C, 10 cycles |
| 高温工作 High Temperature Operating | +125°C±2°C, 1h |
| 低温工作 Low Temperature Operating | -55°C±2°C, 1h |
| 冲击 Shock | 50G~20000G |
| 振动 Vibration | 15G |
| 耐湿 Moisture proof | GJB360B-2009 method 106 |
| IP防护等级 IP Rating | IP50 |
| ESD等级 ESD Rating | 2000V max |

■机械特性 Mechanical Characteristics

| | |
|----------------------------|--|
| 旋转力矩 Running Torque | ≤2mN·m |
| 重量 Weight | 17g±3g |
| 引出端标识 Terminal Identity | VDD 红 Red, GND 黑 Black, CLK+ 黄 Yellow, CLK- 白 White, DA+ 绿 Green, DA- 灰 Gray |
| 标志 Mark | 制造厂商标、型号、独立线性度、产品编号 Code symbol, Type, Resistance tolerance, Product serial number |
| 外壳材质 Material Shell | 不锈钢或铝合金或坡莫合金 Stainless steel or Aluminum alloy or Permalloy |



■订货指南 Ordering Information



信号输出模式:
A—Analog 模拟输出
P—PWM 脉冲宽度调制信号输出
SPI—Serial Peripheral Interface 串行外围接口
SSI (S) —Synchronous Serial Interface (Single Ended) 单端同步串行信号
SSI (D) —Synchronous Serial Interface (Differential) 差分同步串行信号
I—incremental 增量输出模式
IIC—IIC 总线协议接口