

科研军品

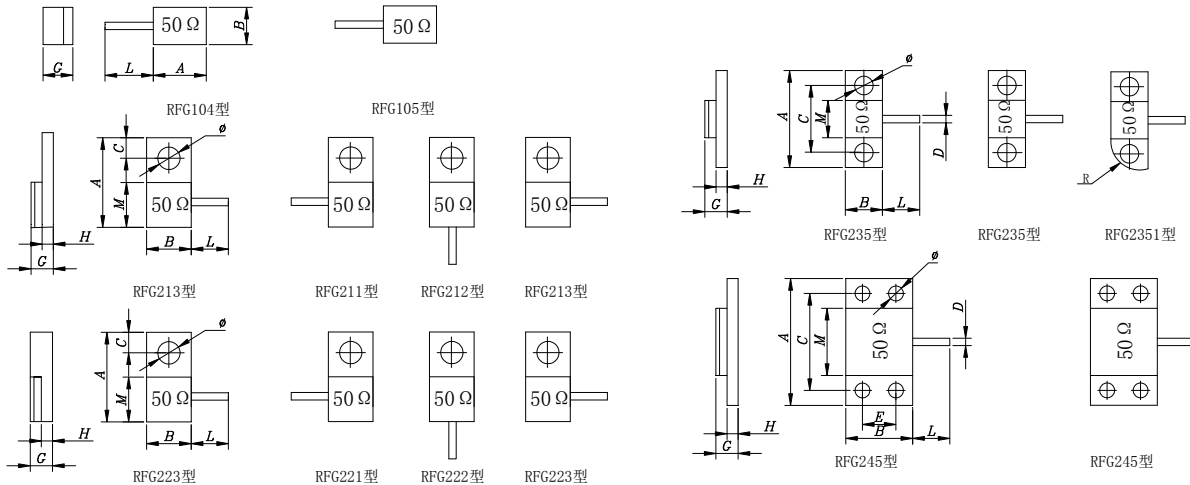
- 电压驻波比低
Low VSWR

RFG 单引线微波功率型负载电阻器 RFG Series single lead, RF power resistor

■ 适用标准 Applicable specifications

- Q/RU241-2003 RFG 型功率负载电阻器民品详细规范
- Q/RU20006-2002 RFG 型功率负载电阻器军品详细规范

■ 外形尺寸图 Dimensions



高频功率负载电阻器

■ 主要技术指标及外形尺寸 Main specifications and Dimensions

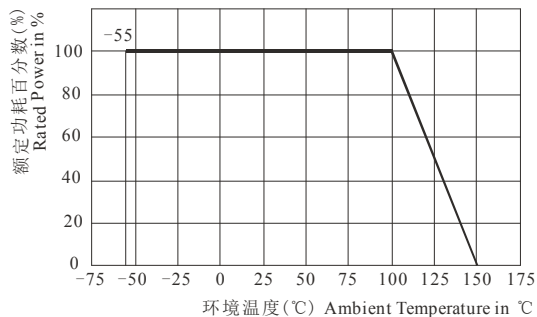
型号 Type	脉冲功率 Pulse Power (W)	工作频率 Frequency (GHz)	外形尺寸 Dimension (mm)												
			A ±0.2	B ±0.2	C ±0.2	D ±0.2	M ±0.2	L ±1	G max	H ±0.2	Φ ±0.2	R ±0.2	E ±0.2		
RFG1	1	0~6	5	2		1.5		6	2.0						
	2			3		2									
	3		6	5		3								2.4	
	5		9	6		3									
	10		10	8		6									
RFG21	10	0~6	7.6	5	2.5	1	2.5	6	3.8	1.2	3.1				
	20		10				1.5							4	
	30		14.5	6.5	3.5		6.3							3.5	
	60		13.1	6.3	3.2	1	6.3								
	150	0~3	14.3	9.5	4	2	6.3								
RFG22	100	0~3	13.1	6.3	3.2	1.5	6.3	6.3			3.1				
	120														
RFG23	10	0~6	12.7	5	7.6	1	2.5	6	3.8	1.2					
	12		13.8	4	9	0.8	5		2.8	0.6				2	3.5
	20		15	5	11	1	4		3.5	1				2.2	
	30		20	6	14	1.5	9		5	2				3.1	

对于本页内容的任何变更，恕不另行通知。订货前，请确认技术参数。Specifications are subject to change without notice.

型号 Type	脉冲功率 Pulse Power (W)	工作频率 Frequency (GHz)	外形尺寸 Dimension (mm)										
			A ±0.2	B ±0.2	C ±0.2	D ±0.2	M ±0.2	L ±1	G max	H ±0.2	Φ ±0.2	R ±0.2	E ±0.2
RFG23	40	0~6	20.3	6	15.2	1.5	9	6	4.6	2	3.1		
	50		21	8	15		10		4.8				
	60		20.3	6	15.2		9		4.6				
	75	0~3	22	6.5	15.5	1.5	9.5		3.8	1.5	3.5		
	100			10			8		4.8	2	3.2		
	150			3			9.5		6			3	3.5
	200	0~3	25	9.6	18.5	3	12.7		6.5	3.1	4		
	250											4	4.2
	400	0~2	32	12.7	22	6	25.4		6.5	3.1	4		
800	48.3							26.4				39.4	6

- 阻值范围 Range of resistance: 1~300Ω
- 阻值允许偏差 Resistance tolerance: ±2%, ±5%
- 电阻温度系数 TCR: ≤±150×10⁻⁶/°C; ≤±300×10⁻⁶/°C
- 驻波系数 VSWR: 1.2 (DC~3GHz); 1.3 (3~6GHz)

■ 降功耗曲线 Derating



注：安装表面温度：辅助散热器与电阻器安装表面之间的温度

Annotation: Mounting surface temperature: temperature between assistant flange/heat sink and resistor mounting surface

■ 订货指南 Ordering information

RFG - 2 - 2 - 1 - 120W - 50 Ω J

产品	是否带散热板	散热板结构	引出端	功率	标称阻值及精度
型号	With Flange/Heat	Flange/Heat	Terminal	Power	Nominal
Type	Sink or not	sink type	1.左引线 Left lead		Resistance
	1.No 2.Yes	1.单孔 single hole	2.中引线 Middle lead		And Tolerance
		2.单孔带台阶 (single hole with step)	3.右引线 Right lead		G(±2%)
		3.双孔 two holes	4.双引线 double leads		J(±5%)
		4.四孔 four holes	5.单引线 single lead		
		无散热板时 (without Flange/Heat sink)			
		0.涂覆 coated			
		1.带盖板 with cover			
		2.带盖板且背面金属化 with cover and metalized the back			