

## 科研军品

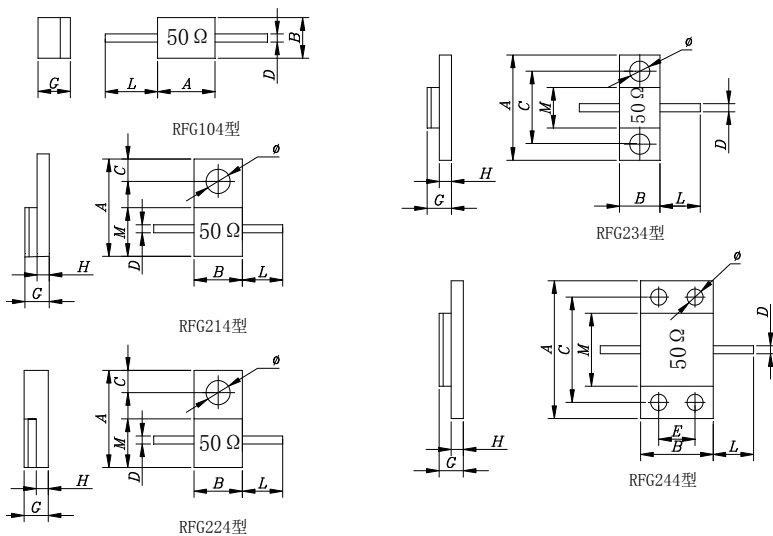
■分布电容低  
Low distributed capacitance

### RFG 双引线微波功率型负载电阻器 RFG Series double leads, RF, power, load resistor

#### ■ 适用标准 Applicable specifications

- Q/RU241-2003 RFG 型功率负载电阻器民品详细规范
- Q/RU20006-2002 RFG 型功率负载电阻器军品详细规范

#### ■ 外形尺寸图 Dimensions



高频功率负载电阻器

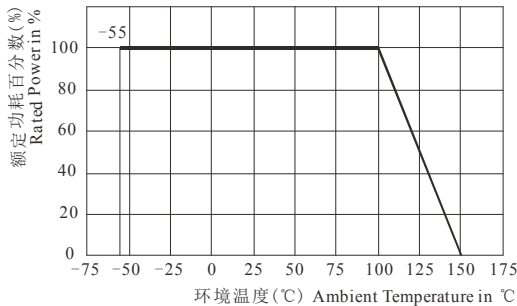
#### ■ 外形尺寸和主要技术指标 Dimensions and main specifications

型号 Type	脉冲功率 Pulse Power (W)	工作频率 Frequency (GHz)	外形尺寸 Dimension (mm)												
			A ±0.2	B ±0.2	C ±0.2	D ±0.2	M ±0.2	L ±1	G max	H ±0.2	Φ ±0.2	R ±0.2	E ±0.2		
RFG1	1	0~6	5	2		1.5		6	2.0						
	2			3		2									
	3		6	5		3								2.4	
	5		9	6										2.6	
	10		10	8		6									
RFG21	10	0~6	7.6	5	2.5	1	2.5	6	3.8	1.5	3.1				
	20		10				1.5							4	
	30		14.5			6.5	3.5								6.3
	60		13.1	6.3	3.2	1									
	150		0~3	14.3	9.5	4	2								
RFG22	100	0~3	13.1	6.3	3.2	1.5	6.3	6	3.8	1.5	3.1				
	120														
RFG23	10	0~6	12.7	5	7.6	1	2.5	6	2.8	0.6	2	3.5			
	12		13.8	4	9	0.8	5								
	20		15	5	11	1	4								3.5
	30		20	6	14	1.5	9								5

型号 Type	脉冲功率 Pulse Power (W)	工作频率 Frequency (GHz)	外形尺寸 Dimension (mm)										
			A ±0.2	B ±0.2	C ±0.2	D ±0.2	M ±0.2	L ±1	G max	H ±0.2	Φ ±0.2	R ±0.2	E ±0.2
RFG23	40	0~6	20.3	6	15.2	1.5	9	6	4.6	2	3.1		
	50		21	8	15		10		4.8				
	60		20.3	6	15.2		9		4.6				
	75												
	100	0~3	22	6.5	15.5	3	9.5		3.8	1.5	3.5		
	150			10			4.8		2			3.2	
	200		25	9.6	18.5	9.5	6		3	3.5			
	250						6				4		
	400	0~2	32	12.7	22		12.7						
RFG24	400	0~1	48.3	26.4	39.4	6	25.4	6.5	3.1	4.2		12.7	
	800												

- 阻值范围 Range of resistance: 1~300Ω
- 阻值允许偏差 Resistance tolerance: ±2%, ±5%
- 电阻温度系数 TCR: ≤±150×10<sup>-6</sup>/°C; ≤±300×10<sup>-6</sup>/°C

### 降功耗曲线 Derating Curve



注：安装表面温度：辅助散热器与电阻器安装表面之间的温度

Annotation: Mounting surface temperature: temperature between assistant flange/heat sink and resistor mounting surface

### 订货指南 Ordering Information

**RFG - 2 - 2 - 4 - 120W - 50ΩJ - Q/RU241-2003**

产品	是否带散热板	散热板结构	引出端	功率	标称阻值及精度	标准代号
型号	With Flange/Heat	Flange/Heat sink type	Terminal	Power	Nominal Resistance And Tolerance	Technical Standard
Type	Sink or not	1.单孔 single hole 2.单孔带台阶 (single hole with step) 3.双孔 two holes 4.四孔 four holes	1.左引线 Left lead 2.中引线 Middle lead 3.右引线 Right lead 4.双引线 double leads 5.单引线 single lead		G(±2%) J(±5%)	
	1.No 2.Yes	无散热板时 (without Flange/Heat sink) 0.涂覆 coated 1.带盖板 with cover 2.带盖板且背面金属化 with cover and metalized the back				