



- 科研军品 Common military product
- 独立线性度高、寿命长 Improved linearity, Long life
- 作角度传感器使用 Used as angle transducer

WD30 型精密导电塑料电位器
WD30 Precision conductive plastic potentiometer

■ 适用标准 Applicable specifications

- GJB1865-94 非线性精密电位器总规范
- Q/RU424-2008 WD30 型精密导电塑料电位器详细规范

■ 电特性 Electrical characteristics

- 标称阻值范围 Range of nominal resistance
1KΩ~10 KΩ
(可提供特殊阻值)
(Special resistance available upon request)
- 阻值允许偏差 Resistance tolerance
±10%(精密级, Precision), ±15%
- 绝缘电阻 Insulation resistance
 $R_i \geq 1G\Omega$ (500V_{DC}, 正常气压下
Barometric pressure)
- 独立线性度 Independent linearity
≤±0.5%
- 输出平滑性 Output smoothness
≤±0.1%
- 介质耐电压 Dielectric withstand voltage
500V_{AC}, 1min
- 有效电行程 Effective electrical travel:
60°~330° (可根据用户要求提供)
(Special travel available upon request)
- 旋转寿命 Rotational life
1,000,000 turns

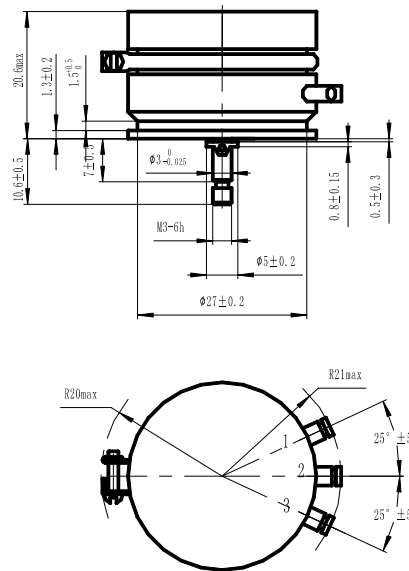
■ 环境特性 Environmental characteristics

- 额定功率 Rated power
1W@70°C, 0W@125°C
- 温度范围 Temperature range: -55°C~125°C
- 电阻温度特性 TCR: ≤±5%

■ 物理特性 Physical characteristics

- 总机械行程 Total mechanical travel: 360°
- 启动力矩 Operating torque: ≤5mN·m
- 重量 Weight ≤100g
- 标志: 型号、标称阻值、阻值偏差、独立线性度、引脚
Marking: Type, Nominal resistance, Resistance tolerance,
Independent linearity, Terminals
- 标准包装 Standard package: 1 只/每盒 1pcs/box

■ 外形尺寸图 Dimensions



■ 标称阻值表
Nominal resistance table

阻值(Ω) Resistance
1K
2K
5K
10K

■ 订货指南 Ordering information

WD30— 5K— K— ±0.5%

型号 Type— 标称阻值 Nominal resistance—
 允许偏差 Tolerance — 独立线性度 Linearity