

## 国军标产品

■ 军用电子元器件质量认证合格证书编号  
COC-P-262-99

■ 等效美军标标准 MIL-R-22097  
MIL-R-22097Qualified

### WJ14 型玻璃釉预调电位器 WJ14 Cermet Trimmer

#### ■ 适用标准 Applicable specifications

- GJB918-90 非线性预调电位器总规范
- SJ20215-92 WJ14 型螺杆驱动玻璃釉预调电位器详细规范

#### ■ 电特性 Electrical characteristics

- 标称阻值范围 Range of rated resistance ( $\Omega$ ): 10~1M
- 阻值允许偏差 Resistance tolerance:  $\pm 10\%$
- 终端电阻 Terminal resistance:  $\leq 2\%R$  或  $2\Omega$ , 取较大者  
 $\leq 2\%R$  或  $2\Omega$ , whichever greater
- 接触电阻变化 Contact resistance variation:  
CRV  $\leq 2\%R$  或  $10\Omega$ , 取较大者  
CRV  $\leq 2\%R$  或  $10\Omega$ , whichever greater
- 绝缘电阻 Insulation Resistance:  $R_i \geq 1G\Omega (500V_{DC})$
- 介质耐电压 Dielectric withstand voltage:  $900V_{AC}$   
(正常大气压, Barometric pressure)
- 有效电行程 Effective Electrical travel:  $18 \pm 1$  turns

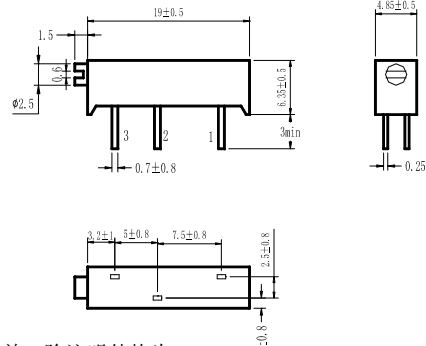
#### ■ 环境特性 Environmental characteristics

- 额定功率 Rated Power ( $300U_{max}$ ):  
 $0.5W @ 70^\circ C$ ,  $0W @ 125^\circ C$
- 温度范围 Temperature Range ( $^\circ C$ ):  $-55 \sim +125$
- 电阻温度系数 TRC:  $\leq \pm 150 \times 10^{-6} / ^\circ C$
- 温度冲击 Thermal Shock:  
 $-65^\circ C \sim +125^\circ C$ , 5 cycles;  
 $\Delta R \leq \pm 3\%R$ ,  $\Delta(U_{ab}/U_{ac}) \leq \pm 2\%$
- 冲击 Shock: GJB360A-96, method 213  
 $\Delta R \leq \pm 2\%R$ ,  $\Delta(U_{ab}/U_{ac}) \leq \pm 2\%$
- 高频振动 High Frequency Vibration:  
GJB360A-96, method 204  
 $\Delta R \leq \pm 2\%R$ ,  $\Delta(U_{ab}/U_{ac}) \leq \pm 2\%$
- 耐湿 Moisture Resistance:  
 $+25^\circ C \sim 65^\circ C$ , RH: 90%~100%,  
20 cycles, 24h/each cycle;  
 $\Delta R \leq \pm 5\%R$ ,  $R_i \geq 100M\Omega$
- 高温寿命 Life:  $70^\circ C$ ,  $0.5W$ , 1000h  
 $\Delta R \leq \pm 5\%R$ ,  $\Delta(U_{ab}/U_{ac}) \leq \pm 2\%$
- 旋转寿命 Rotation Life: 200 cycles;  $\Delta R \leq \pm 5\%R$
- 高温贮存 High Temperature Storage:  
 $125^\circ C$ , 250h  
 $\Delta R \leq \pm 5\%R$ ,  $\Delta(U_{ab}/U_{ac}) \leq \pm 2\%$
- 低温工作 Low Temperature Operating:  
 $-55^\circ C$ ,  $0.5W$   
 $\Delta R \leq \pm 2\%R$ ,  $\Delta(U_{ab}/U_{ac}) \leq \pm 2\%$
- 浸渍 Immersion: GJB360A-96, Method 104  
无连续气泡  
No continuous stream of bubbles emitted

#### ■ 物理特性 Physical characteristics

- 启动转矩 Starting torque:  $\leq 50mN \cdot m$
- 离合器转矩 Clutch Torque:  
终端空转 25 圈, 反向调节电气连续。  
Idle at end of the resistance element for 25 turns, no evidence of electrical discontinuity in reversed direction.
- 标志: 商标、产品型号、阻值、日期代码、电路图  
Marking: Code symbol, Type, Resistance, date code, Circuit Diagram
- 标准包装 Standard package: 50 只/盒, 50pcs/box

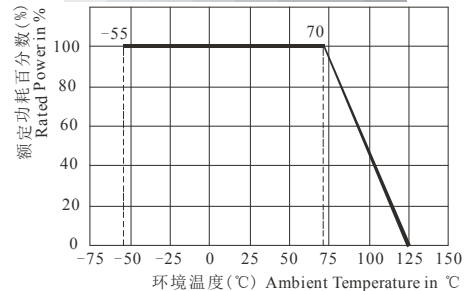
#### ■ 外形尺寸图 Dimensions



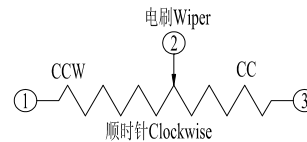
公差: 除注明外均为  $\pm 0.5$

Note: Tolerance is  $\pm 0.5$ , if no identification

#### ■ 降功耗曲线 Derating



#### ■ 电路图 Circuit diagram



#### ■ 标称阻值表

##### Nominal resistance table

阻值( $\Omega$ ) Resistance	电压(V) Voltage
10	2.23
20	3.1
50	5.0
100	7.0
200	10.0
500	15.8
1K	22.3
2K	31.6
5K	50.0
10K	70.7
20K	100
50K	158
100K	223
200K	300
500K	300
1M	300

#### ■ 订货指南 Ordering information

WJ14-B-P-10K

型号 Type—特性 Characteristic—引出端形式 Terminal type—标称阻值 Resistance